

MONOFLAT LIN-X HINGE (HEAVY DUTY)



LIN-X1000



MonoFlat LIN-X hinge®

	LIN-X1000
Door Width	750 ~ 1100 mm
Door Height	Max. 2980 mm
Door Thickness	24 ~ 40 mm
Door Weight	Max. 90 kg/Door

■ Features

- Unique Design & Easy Installation.
- Lateral Swing Mechanism
Allows doors to swing out laterally in a small radius, ideal for tight front space application.
- Full Access to Cabinet
Door will not get in the way when fully opened providing full access to the cabinet.
- Free Stop & Soft-close
Door can be stopped in any position and closes softly.
- 4-Way Adjustable
Adjustment in vertical (± 7 mm), horizontal (± 7 mm), depth (± 5 mm) and parallel ($\pm 3^\circ$).

■ Parts Included

Truss head tapping screw 6×25 (16 pieces)

■ Applicable Door Load Capacity

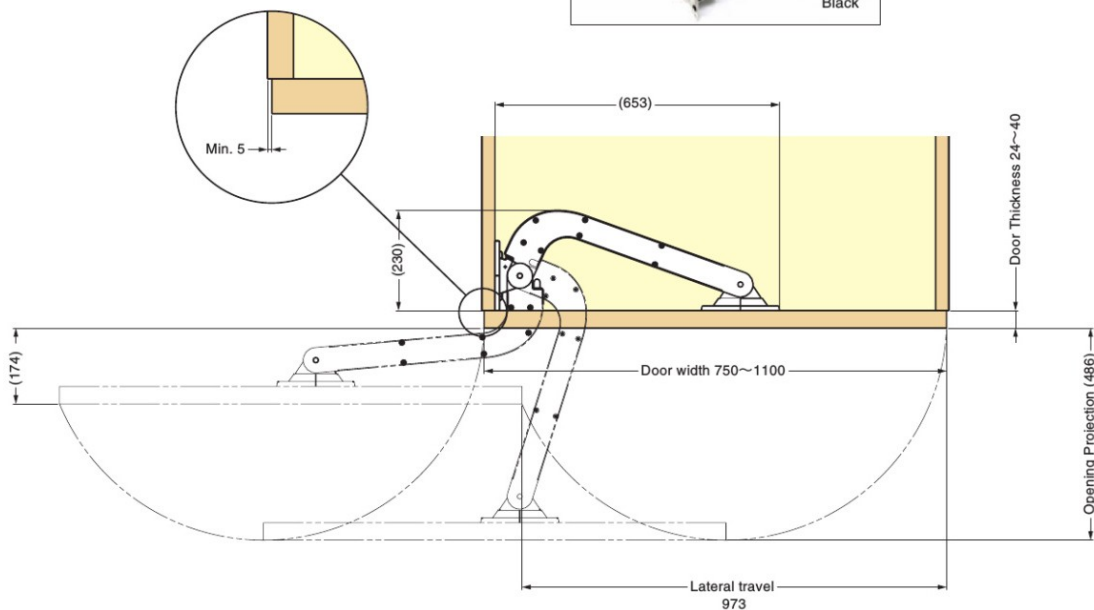
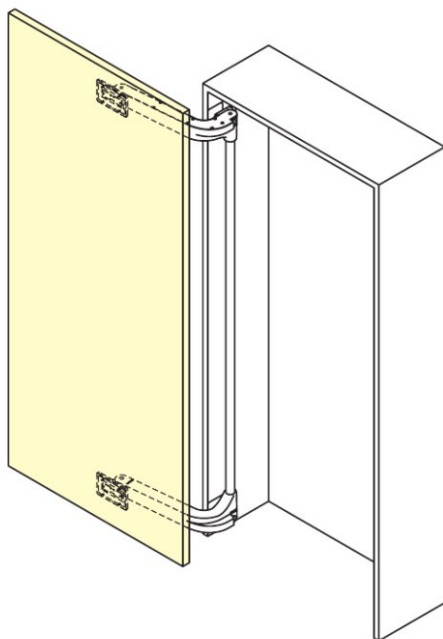
Open/Close cycles	Door sagging	
	3 mm	5 mm
60,000	70 kg	90 kg
80,000	50 kg	80 kg
100,000	40 kg	70 kg

■ Colour variation



[Video Link](#)

[Features](#) [Use Example](#)



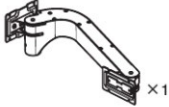
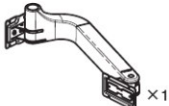
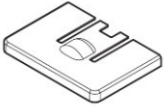

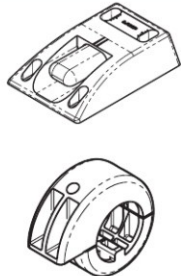
Parts Set (Per Door)

Necessary Parts

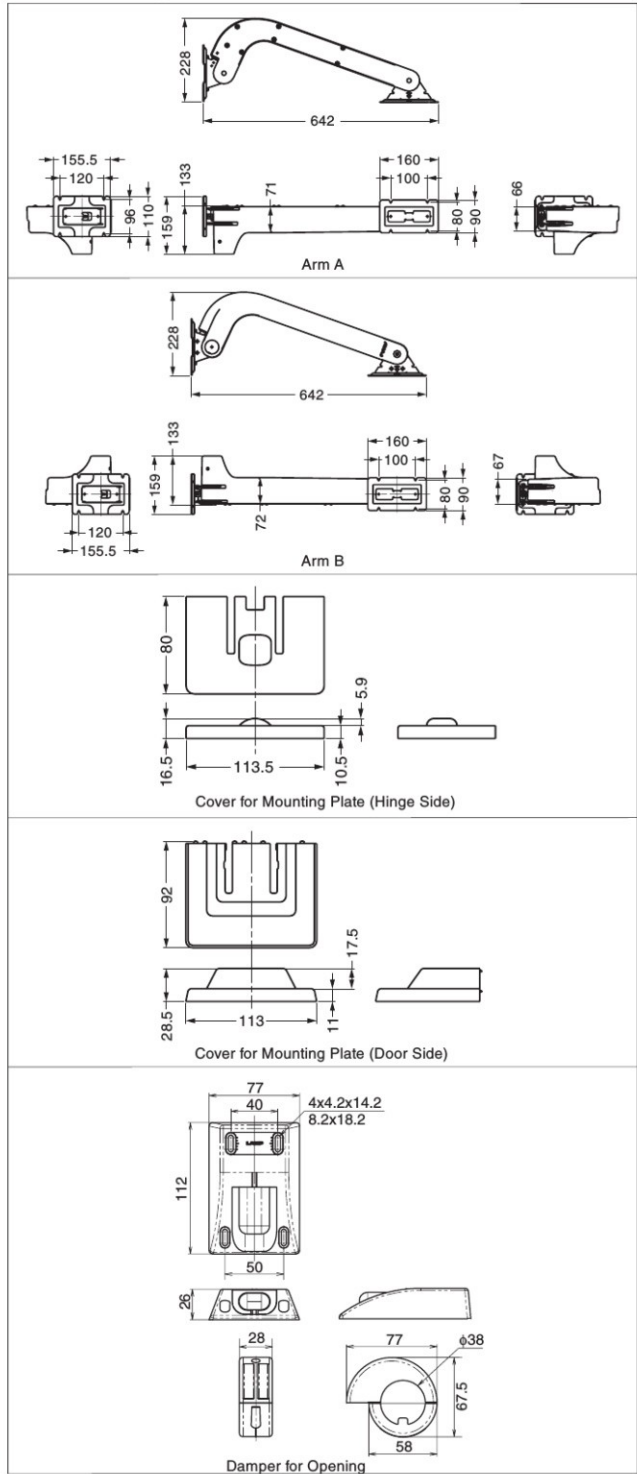
Item Code	Item Name
250-034-706	※LIN-X1000-WT
250-042-288	LIN-X1000-BL

Parts Included

※ The item name has been changed.


No.	Qty	Part Name	Description
1	1 pc	Arm A 	<ul style="list-style-type: none"> Material Aluminium Alloy Finish Powder Coating/ White/Black
2	1 pc	Arm B 	<ul style="list-style-type: none"> Material Aluminium Alloy Finish Powder Coating/ White/Black
3	4 pcs	Cover for Mounting Plate (Hinge Side) 	<ul style="list-style-type: none"> Material ABS Resin Finish White/Black
4	4 pcs	Cover for Mounting Plate (Door Side) 	<ul style="list-style-type: none"> Material ABS Resin Finish White/Black
5	1 pc	Damper for Opening 	<ul style="list-style-type: none"> Material PBT Resin Finish White/Black

Parts Drawing

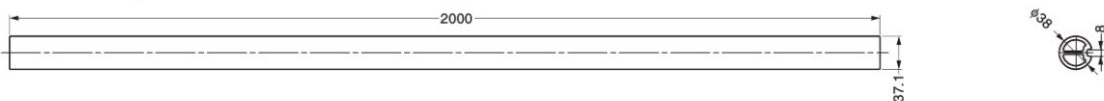


Connecting Bar

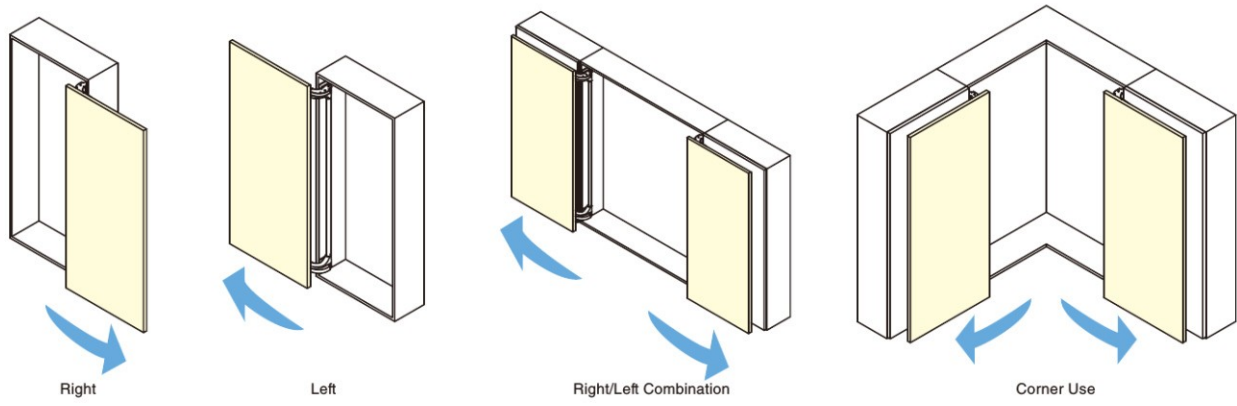
Necessary Parts

No.	Qty	Part Name	Item Code	Item Name	Description
5	1 pc	Connecting Bar 	250-034-707	※LIN-X100-L2000-WT	<ul style="list-style-type: none"> Material Aluminium Extrusion Finish White Anodized
			250-042-289	LIN-X100-L2000-BL	<ul style="list-style-type: none"> Material Aluminium Extrusion Finish Black Anodized

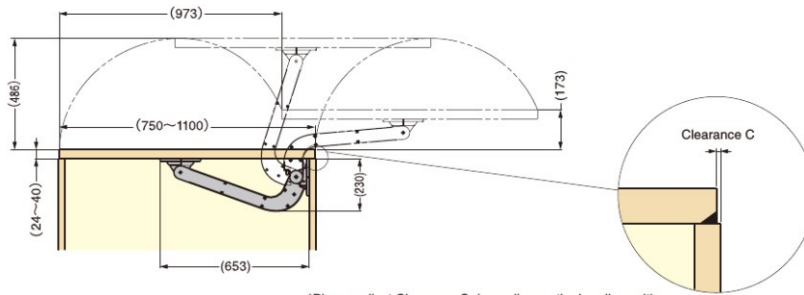
※ The item name has been changed.



■ Various Applications

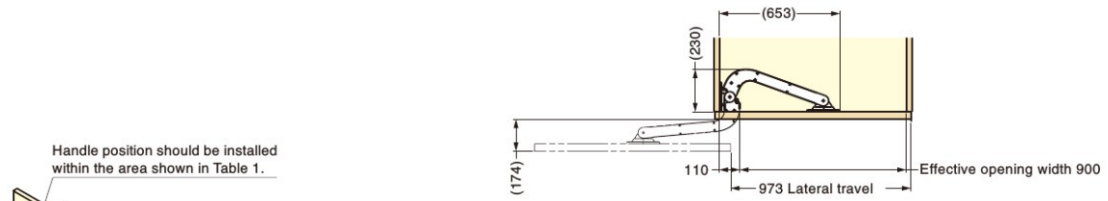


■ Door arc



*Please adjust Clearance C depending on the handle position.
For detail, refer to a manual.

■ Installation



Handle position should be installed within the area shown in Table 1.

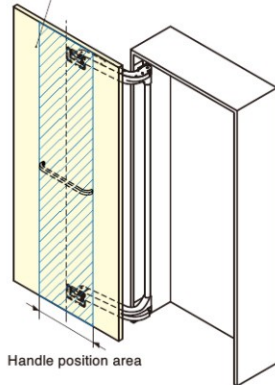
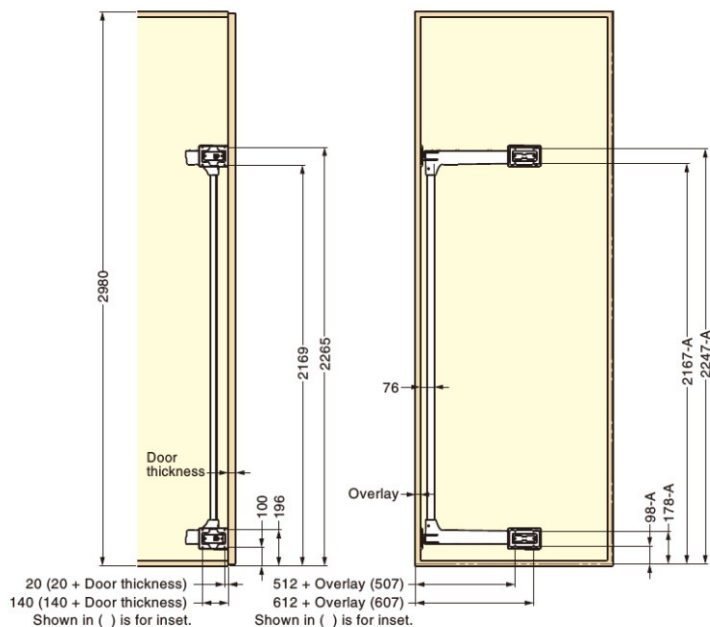


Table 1 : Handle position area [mm]

Door width	Clearance C		
	10	15	20
750-900	Max.300	Max.350	Max.500
900-1000	Max.200	Max.250	Max.400
1000-1100	Max.100	Max.150	Max.300

*Door thickness : 40mm

*Handle position area is centered on the door width.



The table below shows the adjustment factor A depending on the door weight. Ensure that you adjust according to your door weight.

Door weight	Adjustment factor A
20kg	2mm
30kg	3.5mm
40kg	5mm
50kg	6.5mm
60kg	8mm
70kg	9.5mm
80kg	11mm
90kg	12.5mm

*If you use a thick carpet, ensure that there is enough clearance for free movement of the door.
*A ± 7mm height adjustment is possible after installation. For detail, please refer to a manual

A: Adjustment factor

20 (20 + Door thickness)
140 (140 + Door thickness)
Shown in () is for inset.

512 + Overlay (507)
612 + Overlay (607)
Shown in () is for inset.