

ADJUSTABLE ONE WAY TORQUE HINGE

HG-TQJ100

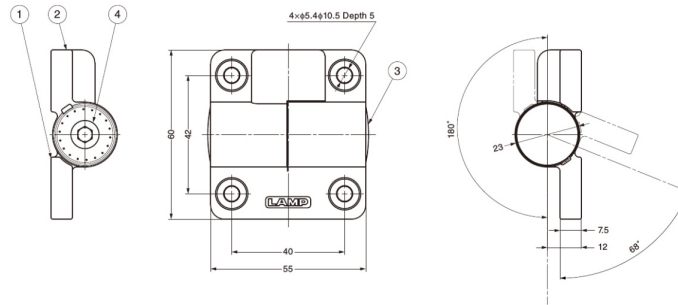


■ **Features**

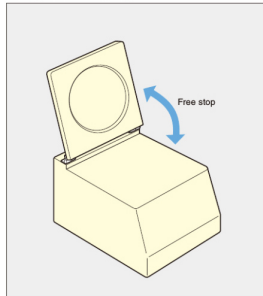
- Friction in one direction only: Allows for frictionless handling of the door in the opposite direction.
- Torque adjustable from 0 to 10 N · m.
- Torque force is stable.

■ **Remarks**

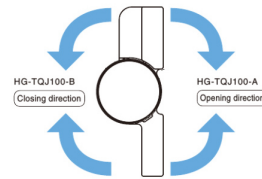
- Recommended for use in pairs.
- Use hex key (size 5) for adjustment.
- If the torque resistance decreases, please tighten the torque adjustment nut.



■ **Application Example**



■ **Torque Working Direction**



Item Code	Item Name	Torque Working Direction	Torque Moment	Weight	Box	Carton
170-032-969	HG-TQJ100-A	Opening	0~10 N · m (0~102 kgf · cm)	242 g	12 pcs	96 pcs
170-032-970	HG-TQJ100-B	Closing				

No.	Part Name	Material	Finish/Colour
①	Bracket A	Zinc Alloy	Satln Chrome
②	Bracket B		
③	Cover	Polypropylene (PP)	Dark Grey
④	Torque Adjustment Nut	Stainless Steel	—