

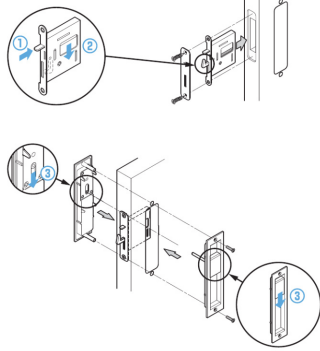
SLIDING DOOR LATCH

L=R SYSTEM HC-3051



- **Features**
 - Recessed latch handle for wooden sliding doors.
 - 4 bases available.
 - Possible to install the backset at any position between 30 mm and 51 mm from the door edge.
 - Ideal for narrow lock stile door.
 - Applicable door thickness: 35 - 45 mm. 3 different lengths of spindles and 2 different lengths of screws are included.
 - Non-handed.
- **Application**
 - For residential interior sliding door.
- **Remarks**
 - Before inserting the base to the door, make sure to do the 3 steps below. Otherwise, the latch will not work properly.
 - The latch can work only when door closed completely.

Latch Body & Strike



Base

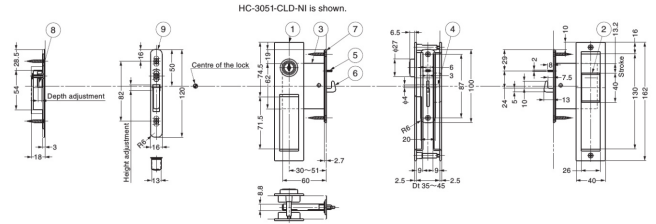


Privacy (PRV) Indicator (IND) Cylinder Lock (CLD) Double sided slide (DSL)
The opposite side of every model has a slide handle as shown for the "DSL" type (above).

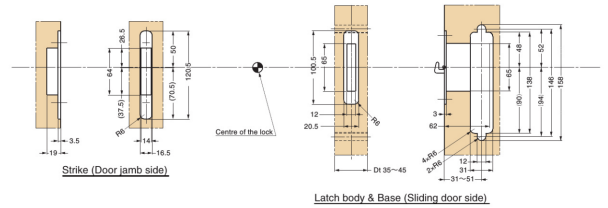
No.	Part Name	Material	Finish
①	Base	Zinc Alloy	Nickel
②	Knob	Zinc Alloy	Nickel
③	Latch Body	Steel (SECC)	Plain
④	Spindle	Steel (SWCH)	Chromate
⑤	Trigger	Stainless Steel (SUS304)	Polished
⑥	Roll	Stainless Steel (SUS304)	Polished
⑦	Front Plate (Latch)	Stainless Steel (SUS304)	Satin
⑧	Strike	Steel (SECC)	Plain
⑨	Front Plate (Strike)	Stainless Steel (SUS304)	Satin

Item Code	Item Name	Type	Weight	Box	Carton
140-032-752	HC-3051-PRV-NI	Privacy	531 g	1 pc	20 pcs
140-032-753	HC-3051-IND-NI	Indicator	535 g	1 pc	20 pcs
140-032-754	HC-3051-CLD-NI	Cylinder Lock	557 g	1 pc	20 pcs
140-032-755	HC-3051-DSL-NI	Double Sided Slide	511 g	1 pc	20 pcs

■ **Dimensions**



■ **Cut Out Dimensions**



SLIDING DOOR SYSTEM DIGEST (P.666~ 687)

