

HORIZONTAL BI-FOLDING UNIT



HBFN



■ Features

- Unique bi-fold door mechanism assists smooth open & close motion.
- Designed to hold the door in closed and opened position.
- Arm length adjustable for various door sizes.
- No tracks or guides required.
- Handle position can be at the bottom of the door.

■ Remarks

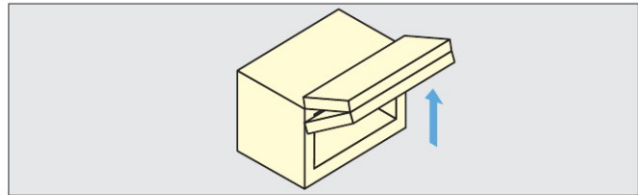
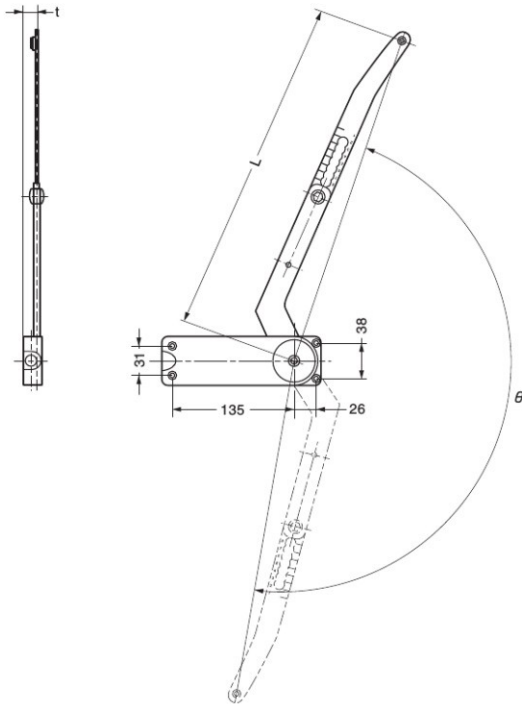
1 set of arm mounting plate necessary for 1 set of HBFN.

■ Sold Separately

Mounting plate HBFN-SZ (P.501)

■ Parts Included

- Offset hinge HBFN-CH (2 pcs)
- Binding head tapping screw 3.5×15



■ Offset Hinge (2 pcs/set)

Additional hinges necessary for doors of width over 600 mm.

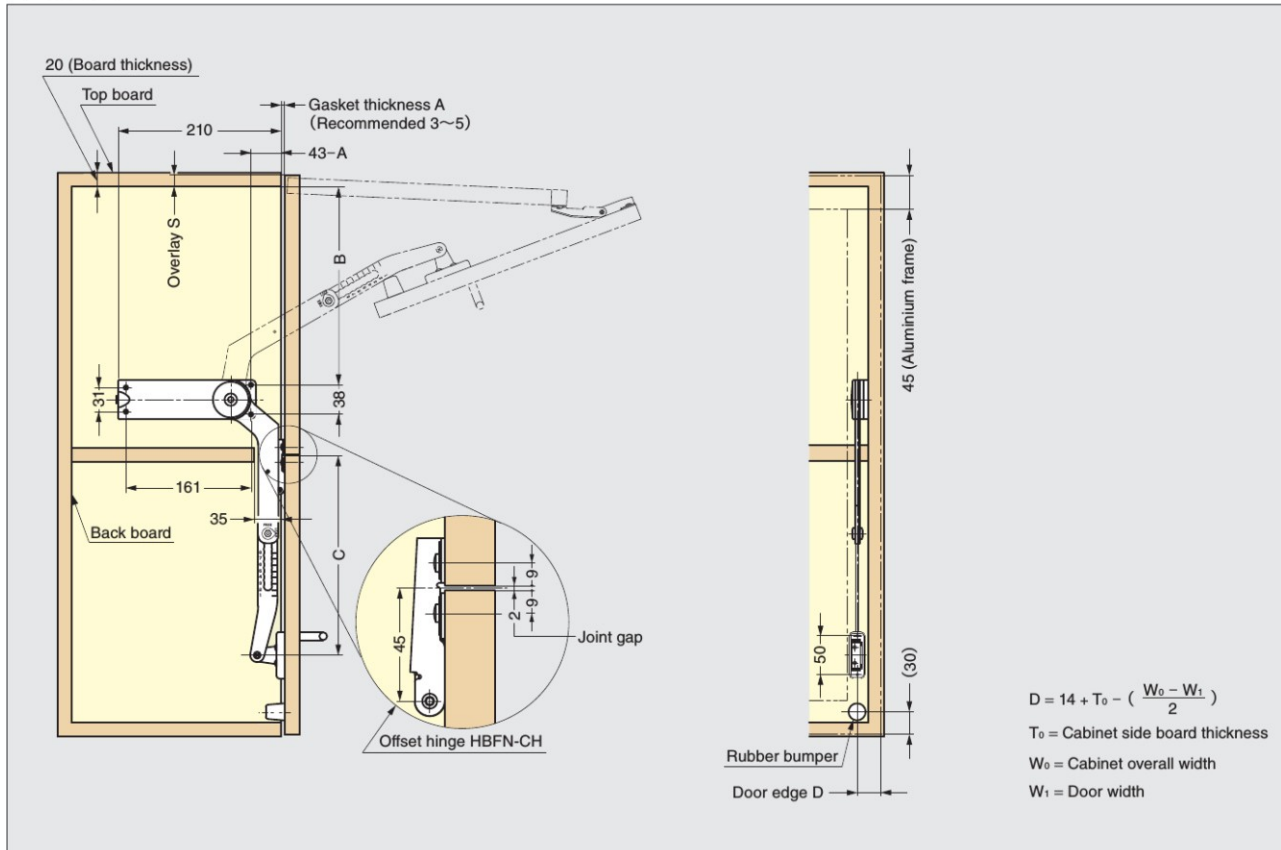
Item Code	Item Name	Material	Finish	Weight	Box
180-099-941	HBFN-CH	Steel	Nickel	65 g	200 pcs

Material	Finish/Colour
ABS/Steel	Nickel/Light Grey

■ Body (1 set) *These figures below are only for 1 door. 2 doors are necessary for 1 cabinet.

Item Code	Item Name	Door Width	Door Height	Door Thickness	Door Weight	θ	L	t	Weight	Carton
180-109-615	HBFN-2M	450 ~ 900	320 ~ 370	17 ~ 20	2.5 ~ 3.5 kg	171°	299 ~ 363	14	1.5 kg	10 sets
180-109-616	HBFN-3M	450 ~ 900	320 ~ 370	17 ~ 20	3.5 ~ 4.5 kg	171°	299 ~ 363	14	1.5 kg	10 sets
180-109-617	HBFN-4M	450 ~ 900	320 ~ 370	17 ~ 20	4.5 ~ 5.5 kg	171°	299 ~ 363	14	1.6 kg	10 sets

Installation



Installation Dimensions

Door Height	Upper Door Opening Angle 90°			Upper Door Opening Angle 105°		
	Arm Adjustment Position	B	C	Arm Adjustment Position	B	C
320	1	247 - S	241	4	226 - S	244
330	2	252 - S	244	5	234 - S	250
340	3	258 - S	248	6	243 - S	257
350	4	263 - S	251	7	251 - S	263
360	5	269 - S	255	8	259 - S	269
370	6	274 - S	258	9	267 - S	275