

# LAMP® FD80-H HEAVY DUTY SLIDING DOOR SYSTEM Installation Manual (Ceiling Mount Type for Pocket Door, with Two-way Soft Close)

Part No.FD80DHCHP-PD

Thank you for selecting our product. Before starting installation, please read this manual thoroughly to ensure correct installation. Please keep this manual at hand for future reference.

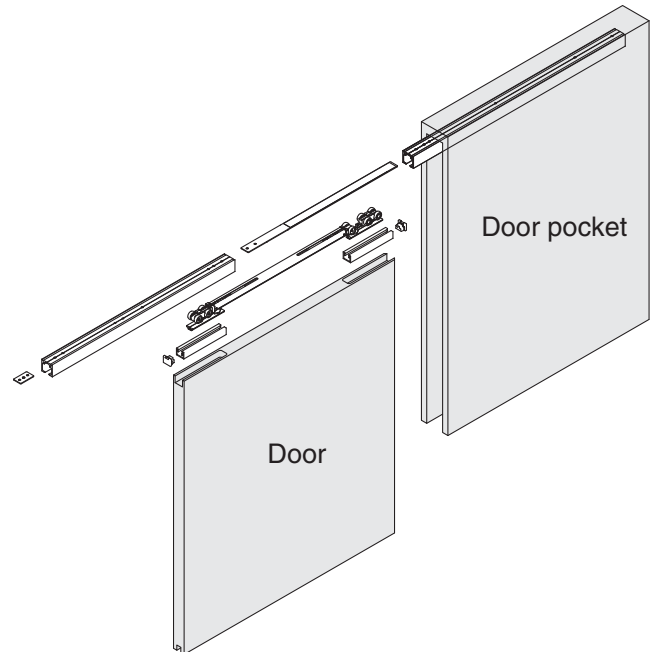
## ABOUT THE PRODUCT

- This is the door hardware for sliding door system in stores, public facilities and residence.
- The track can be divided for easy maintenance after installing.
- Built in closer enables two-way soft closing movement for both direction.

## SPECIFICATIONS

Door width	784 mm - 1500 mm
Max. Door height	2500 mm
Min. Door thickness	34 mm
Max. Door weight	80 kg/door
Height adjustable range	1 mm upward, 4 mm downward

- The closing speed of the soft closing type door may change due to ambient temperature, operating method or installation quality.
- Recommended ambient temperature range is 5 to 40 °C .



## FOR YOUR SAFE WORK AND CORRECT INSTALLATION

### Meaning of symbols



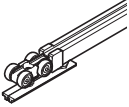
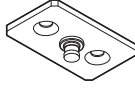
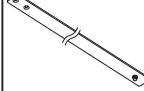
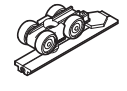
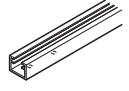
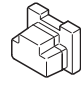

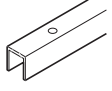
### **! WARNING: If these warnings are not followed, it may result in death or serious injury.**




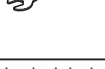
- !** This (sliding door system) should be installed by an experienced person who has correct knowledge. If the system is not installed correctly, the door will not operate smoothly, and or may cause injury.
- !** It is necessary to manufacture the frame with sufficient strength so it endures the weight of the door and impact shocks upon opening/closing the door. Also make sure to only use the designated screws and to fasten them firmly. A frame with poor strength or loose screws might result in improper and slower movement of the door. In the worst case, the door might drop down and cause injury.
- ⊘** Do not try to use this product for any other purposes than originally intended for. Do not use the parts for applications that are out of specification.
- ⊘** Do not disassemble nor modify any parts other than those described in this document.

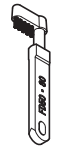
### **! Caution: If these cautions are not followed, it may result in injury or damage.**

- !** Make sure to follow the designated measurements and specifications as well as horizontal and verticals angles. Make sure that frame and door are not warped nor bent, since it may affect the movement of the door.
- !** If cutting any parts, make sure to remove any burr before installation. Also check the upper track for any left-over burr or scrap and remove these.
- !** This (sliding door system) is a part for furniture fittings. After installation, make sure to test the finished product thoroughly to ensure that it is well-functioning and safe.
- !** Make sure to test the screws for slack at regular intervals (one month from first usage, half year and then one time every year is recommended).
- !** When installing "pocket door" specification, make "easy-maintenance" structure. For example, use removable panel.
- !** We recommend that the installation is carried out by two people, in order to ensure proper installation and avoid unnecessary stress on the parts.

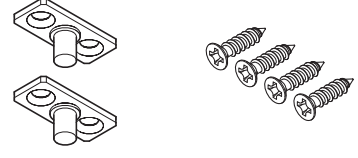
# COMPONENT PARTS

No.	①	②	③	④	⑤	⑥	⑦	⑧
Name	Two-way Soft Closer(recessed)	Front trigger	Pocket trigger	Upper roller (recessed)	Hanging bracket	End cap	Floor guide	Door guide track
Order code	250-022-239	250-029-709	250-025-460	250-022-241	250-120-608	250-121-142	250-029-718	250-019-971
Part No.	FD80-WRH-DSC	FD80-TRGPF	FD80-TRGPB-HB	FD80-WRH	FD70B-HB160	FD70B-EC-BL	FD50-BGR18	FD30-HBRT1500SIL
	 1pc	 1pc	 1pc	 1pc	 2pcs	 2pcs	 1pc	 1pc
Accessories	Hex key 3 mm	Countersunk head tapping screws 4 x 40	Countersunk head tapping screws 4 x 40	Hex key 3 mm	Pan head tapping screws 5 x 40 4pcs		Countersunk head tapping screw 4 x 20 4pcs	Countersunk head tapping screws 4 x 20

⑨	⑩	⑪
Open area track	Door pocket track	Spanner
Available with various length and finishes		250-022-252
FD80-TRP Series		FD80-HHSP
The profile of ⑨ and ⑩ are the same, but the cut length and hole location are different. See installation procedure 1 for the detail.		
 1本	 1本	 1ヶ
Countersunk head tapping screws 5 x 40 (Q'ty depends on the hole location)		Nominal designation 13 mm, 22 mm

Options	No.	⑫
	Name	Cleaner for upper track
	Part No.	FD50-TRC
Parts		

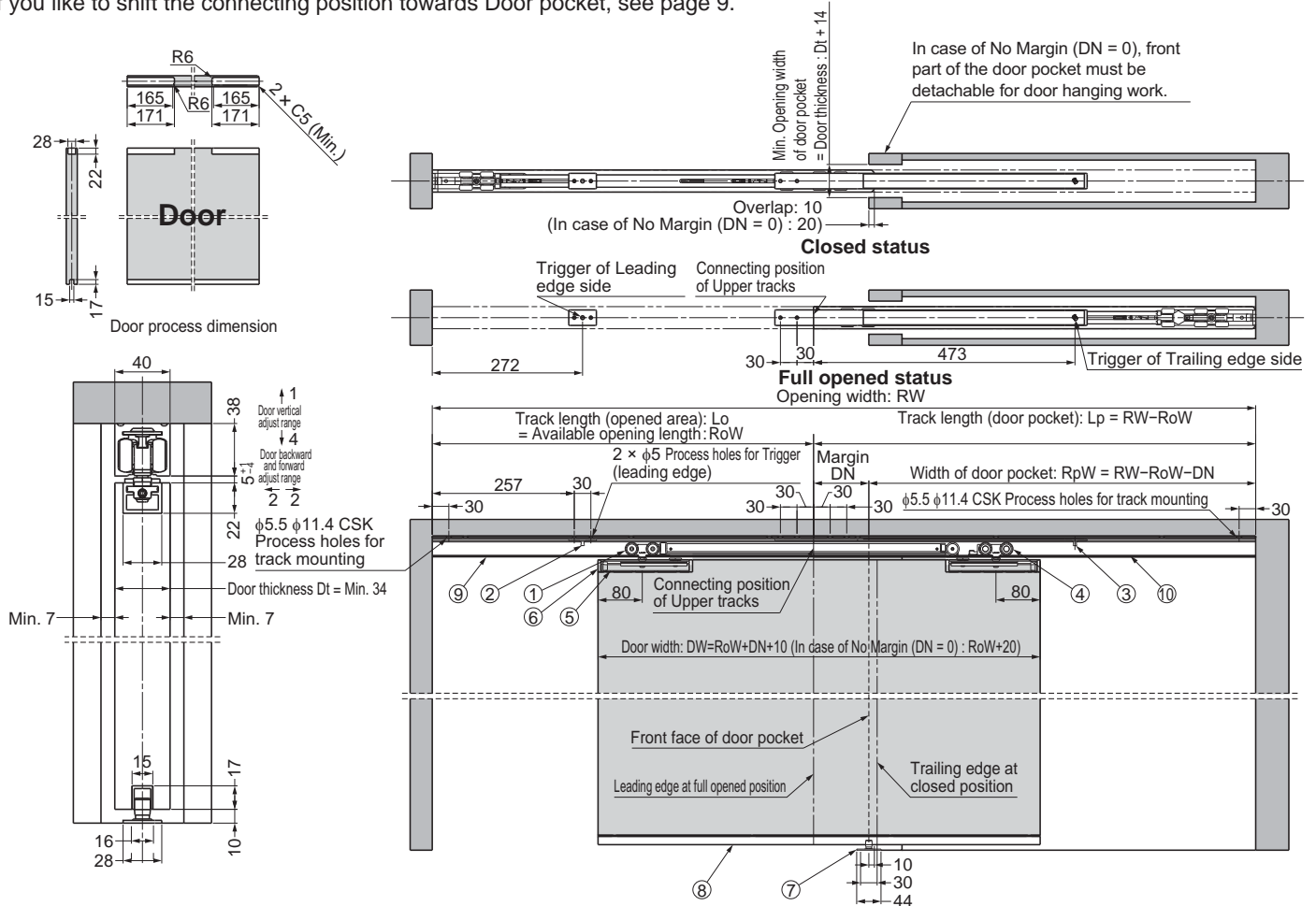
**✗ FD80 Below parts which are packed with two-way soft closer ① are not needed for this application.**



Trigger: 2pcs  
Screws 4 x 30 D6: 4pcs

## INSTALLATION DRAWING (EXAMPLE)

The below shows the sliding door when the leading edge is aligned with the connecting position of the upper tracks.  
If you like to shift the connecting position towards Door pocket, see page 9.



## TOOLS REQUIRED FOR INSTALLATION

- Philips head driver #2
- Machine or tool for cutting aluminum ally
- Drill bit for metal:  $\phi 5$
- Drill bit for metal (for  $\phi 11.4$  countersunk hole)

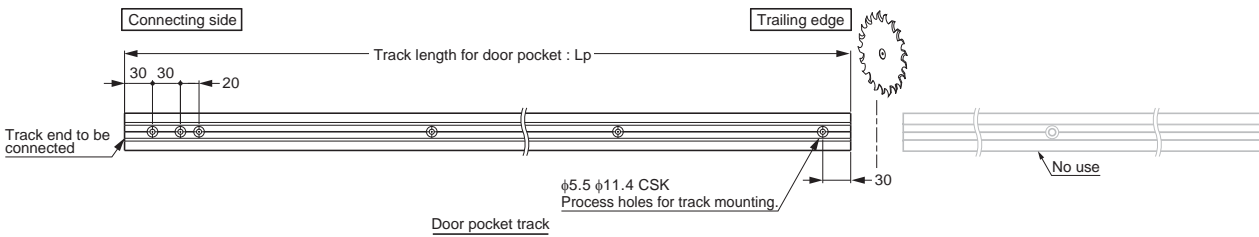
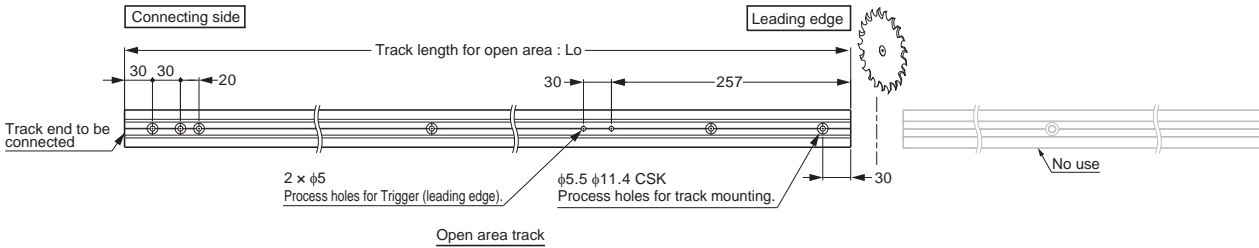
**Confirmation before assembly**

- Check that dimensions of frame, floor, door and track are correct.
- Check that frame and floor are not inclined.
- Check that door is processed correctly.
- Check that door is not warped.
- Check that all parts are prepared.

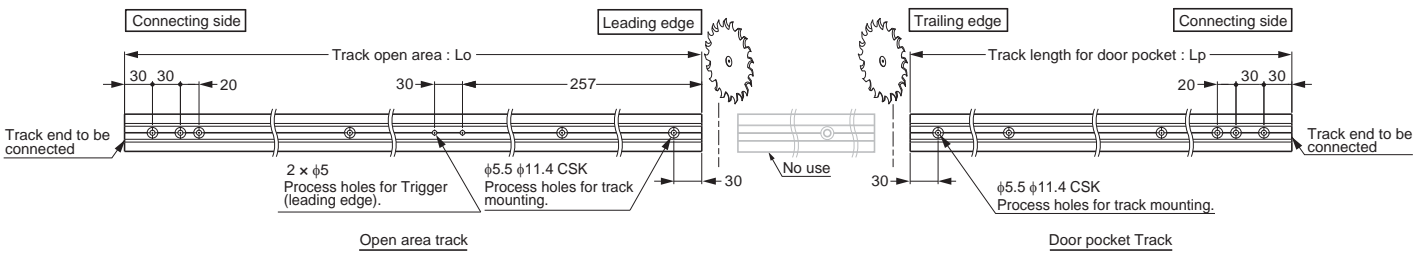
**!** Remove any dirt or aluminum chips from the track as they would damage the rollers and cause noise during operation.

**1 Cutting Track and Hole Processing**

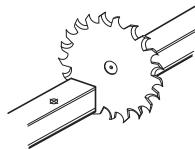
When using 1260 mm track



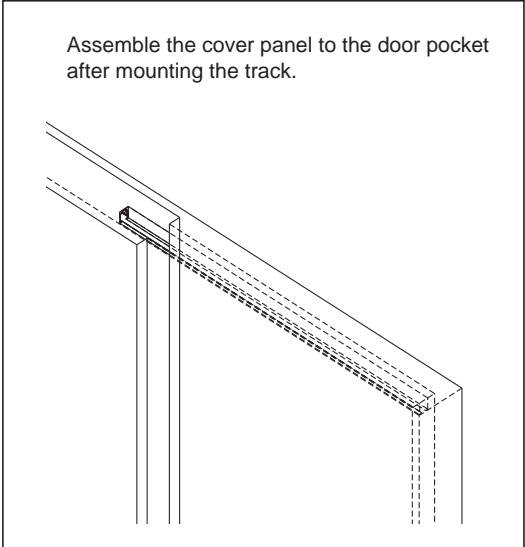
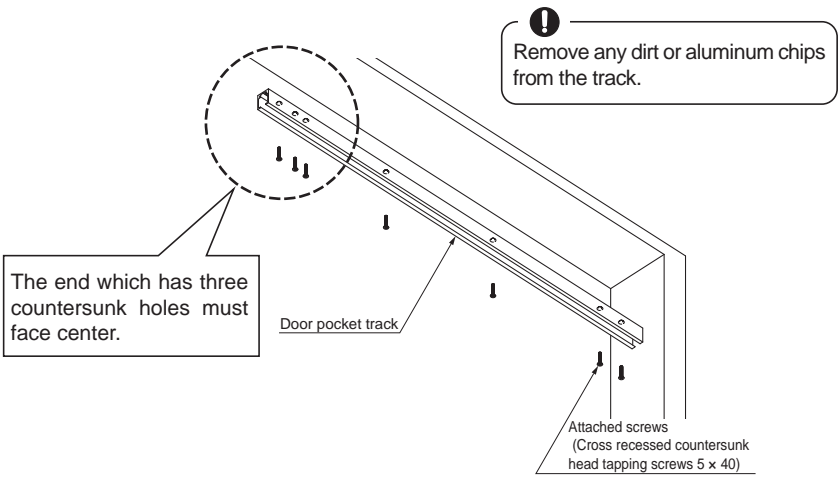
When cutting from a long rail (2160 mm, 2760 mm, 3960 mm)



**!** When cutting, use reinforcer for the track to prevent deformation at cut section.

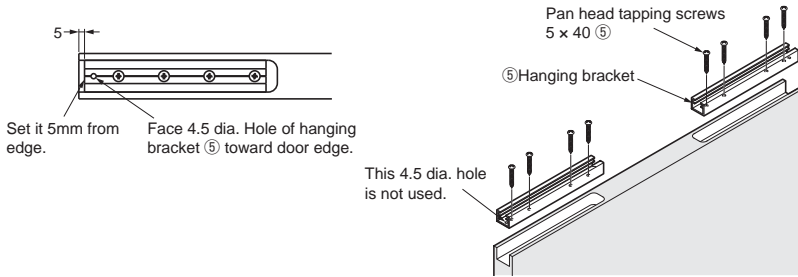


**2 Installing Door Pocket Track**



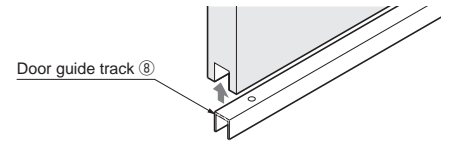
### 3 Installing Hanging Bracket

Insert hanging bracket into the notch at upper part of door firmly, fix the bracket with attached Screws 5×40. Face hanging bracket to correct direction and install it at 5mm from door edge.

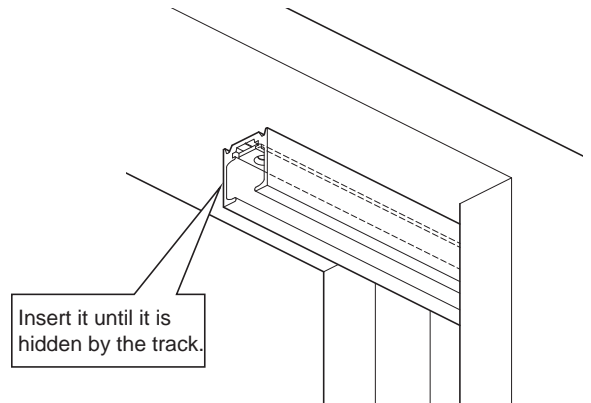
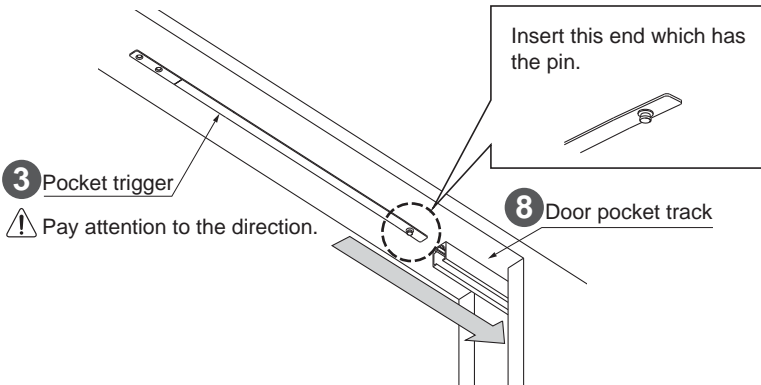


### 4 Installing Door Guide Track

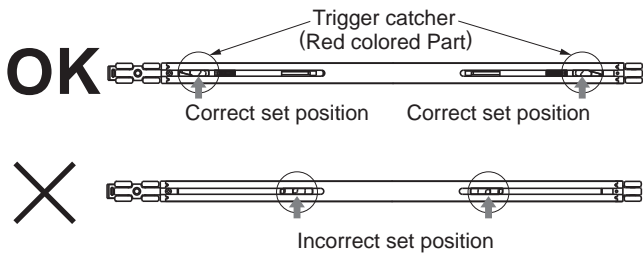
Fix the casing with attached screws firmly.



### 5 Installing Pocket Trigger



### 6 Confirmation Before Installing Two-way Soft Closer



If the position is wrong, pull back the trigger catcher to the correct position using 6mm diameter hard bar.



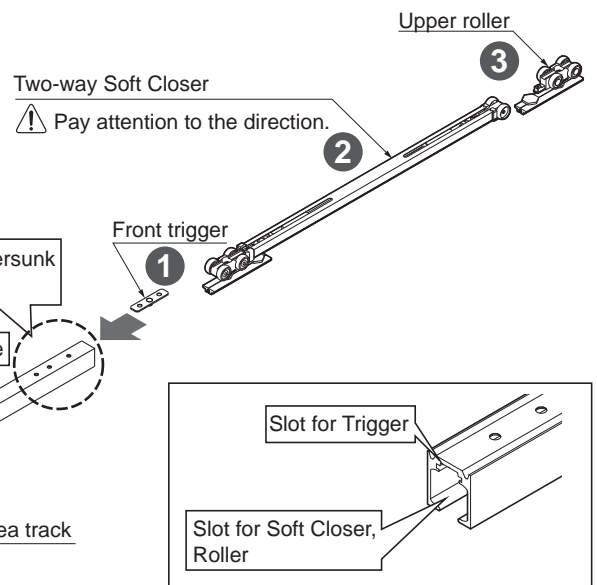
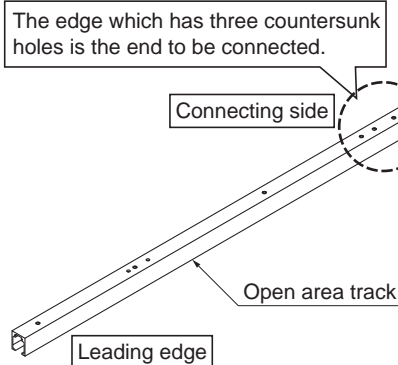
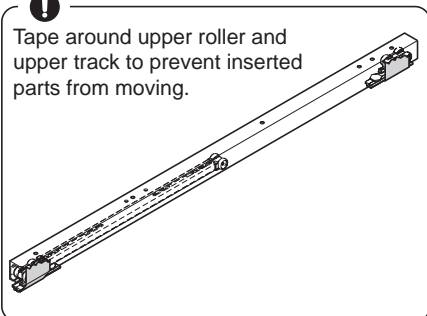
**Caution**  
If the closer is installed without conformation, it will cause the trouble such as no-sliding of door.

### 7 Assembly of Psrts for Open Area Track.

Assemble the parts in order of ① to ③ with care of direction. You can insert the parts smoothly from the connecting end which has no burr.

**!** Remove any dirt or aluminum chips from the track.

**!** Tape around upper roller and upper track to prevent inserted parts from moving.

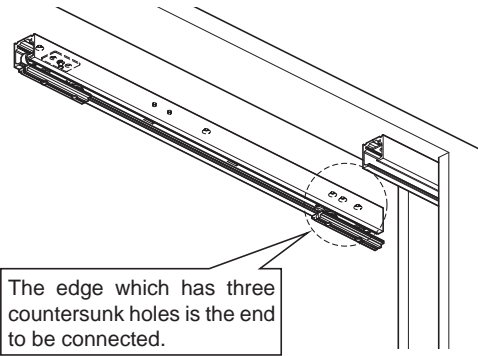


## 8 Installing Open Area Track.

### [1] Positioning

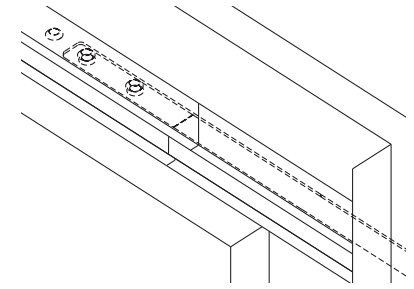
Align the track end to the end of the door pocket track.

Pull out the Pocket trigger from the door pocket track, and insert it to the open area track.

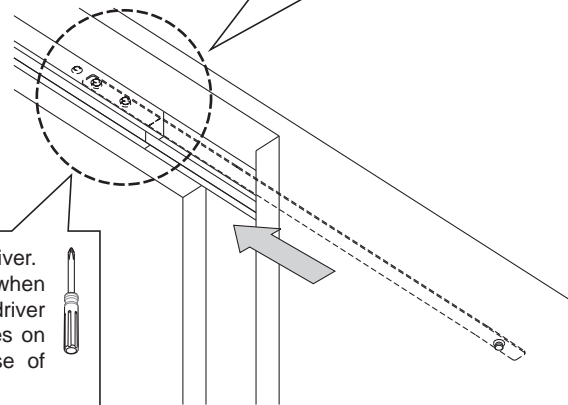


Overlap the two countersunk holes on the Pocket trigger and the two holes on the Upper track nearby the open area.

⚠ Insertion of the trigger may be difficult if the tracks are not aligned.

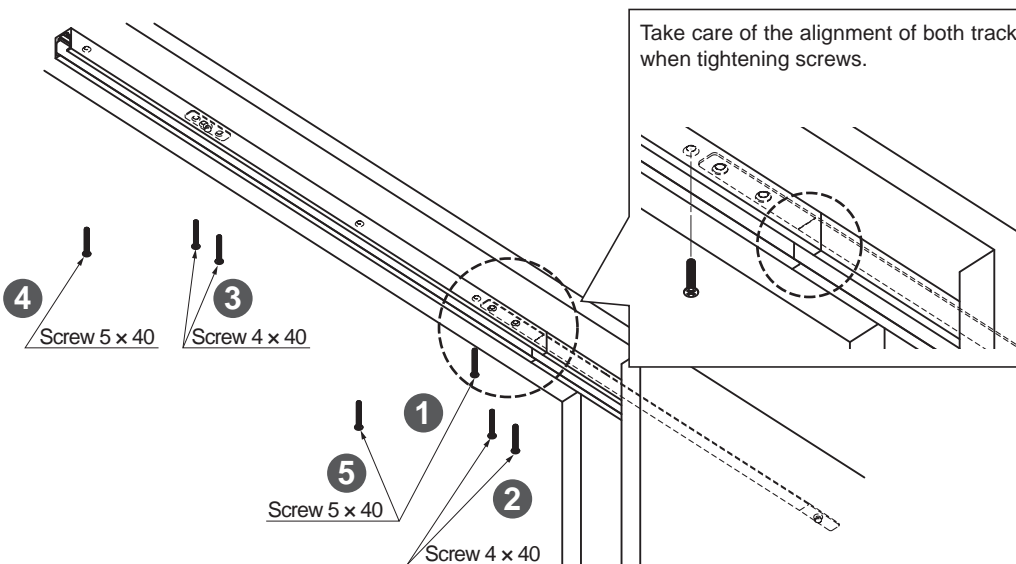


When sliding Pocket trigger, use a screwdriver.  
⚠ Take care not to damage the track when sliding the Pocket trigger with screwdriver which jumps out of the hole. Scratches on the running track may cause a noise of rollers during operation.

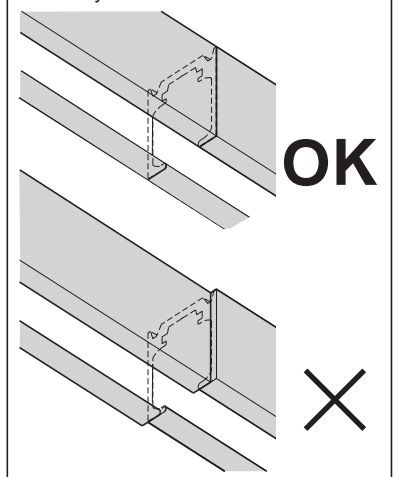


### [2] Fixing

Fix the Open area track and Pocket trigger with provided screws in order of ① to ⑤.



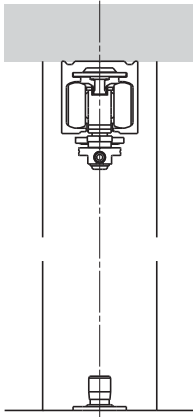
⚠ Be careful about the misalignment of the tracks. Tighten the screws firmly.



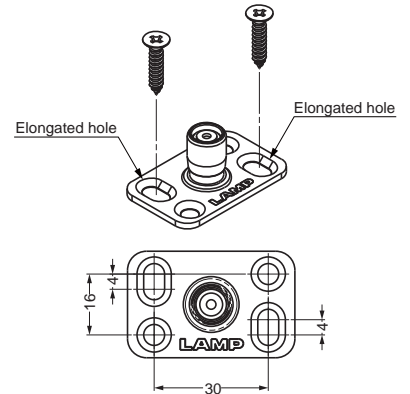
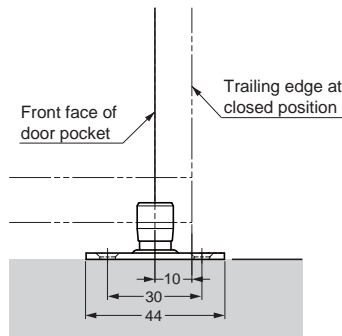
After fixing the track, move rollers and check if there's any misalignment or gap between the tracks.

## 9 Temporary Fixing Floor Guide

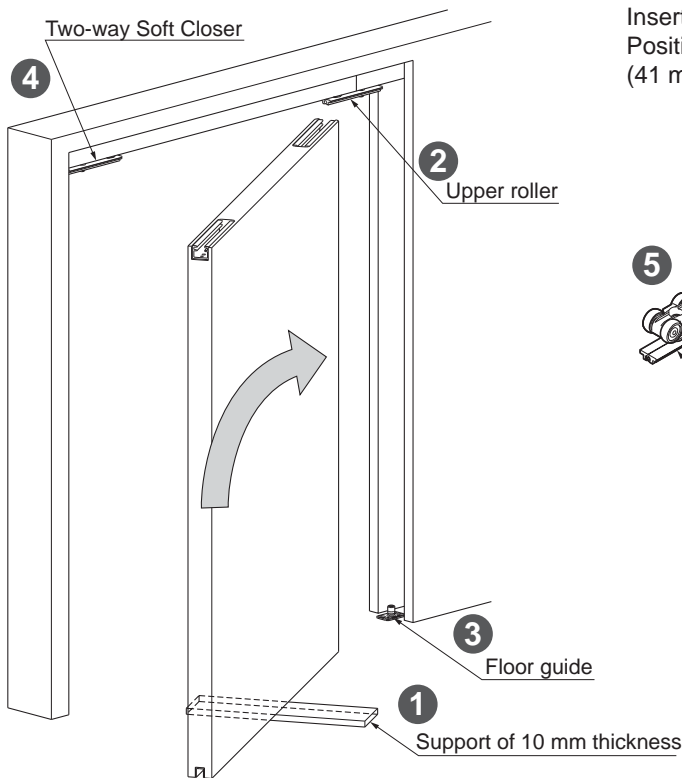
Position floor guide just below the center of upper track.



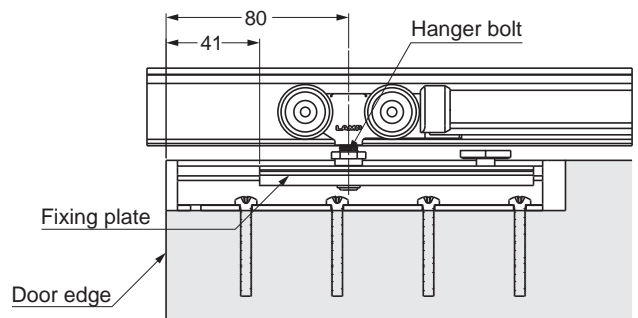
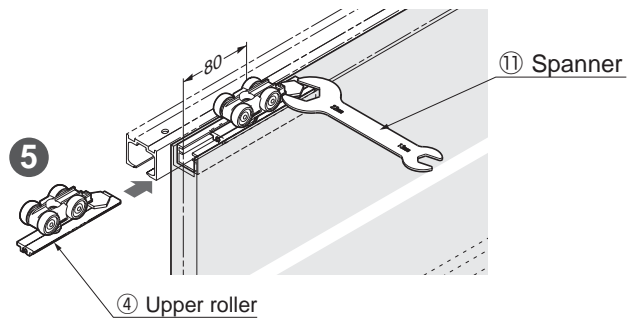
⚠ The figure shows the position of the model which has margin.



## 10 Hanging Door



Insert the upper roller into the hanging bracket in the door. Position upper roller hanger bolt to 80mm from door edge (41 mm to fix plate edge). Tighten fix bolt with Spanner ⑪.



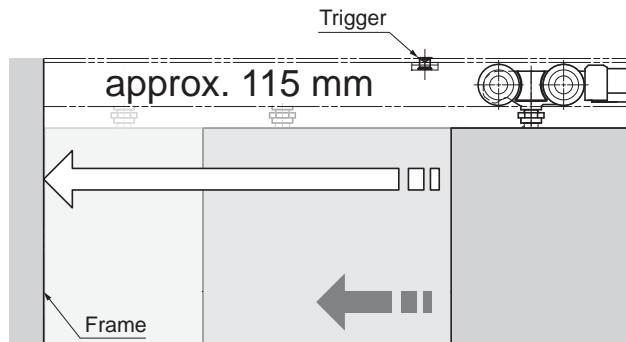
## 11 Confirmation of Sliding Door Closer Operation

Remove the support under the door. Slowly move the door toward door head, and confirm that sliding door closer starts its function at approx. 115 mm to vertical frame.

If the closer is not working correctly, check the Troubleshooting section.

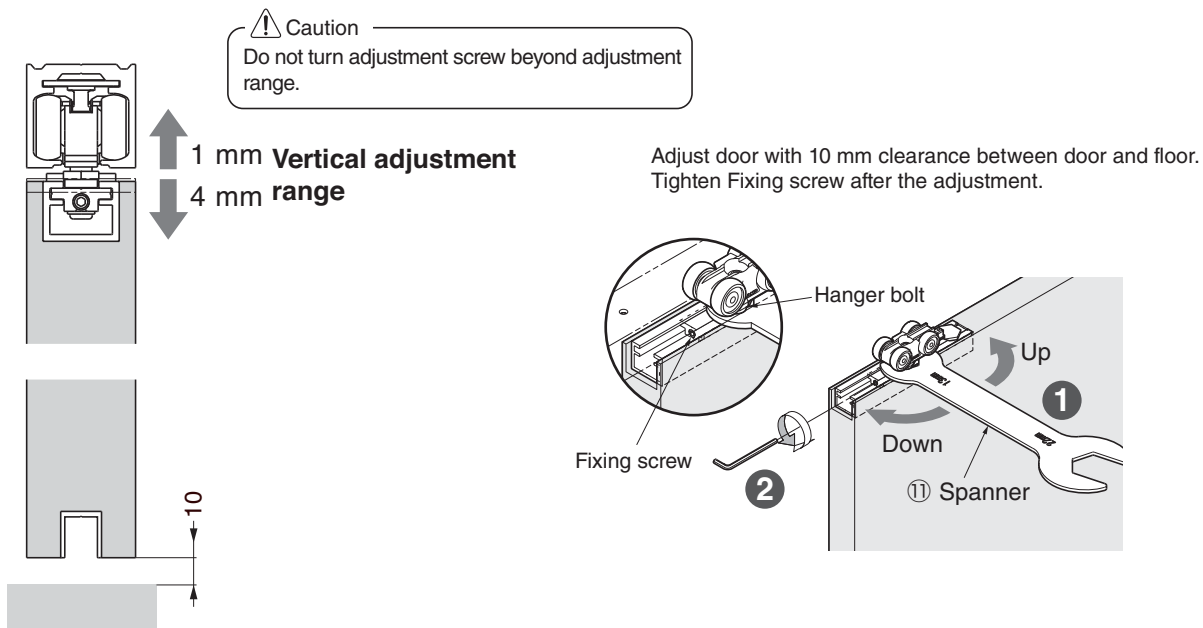


Do not close the door with excessive force. It may cause damage or malfunction of soft close mechanism.

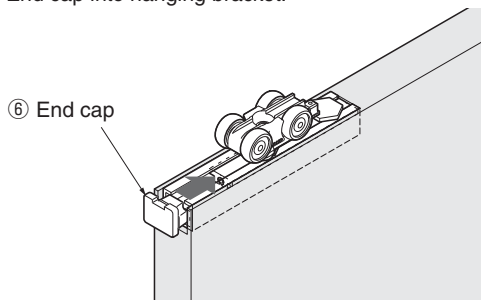


## 12 Adjusting Door Position

Adjust door such that door is parallel to upper track with 9 mm clearance between door and floor.



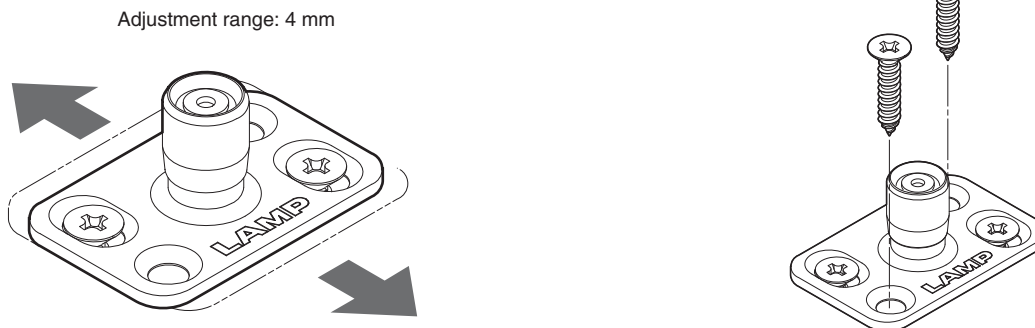
Push End cap into hanging bracket.



## 13 Adjusting Floor Guide (Adjust range : 4 mm)

If the door movement is not smooth, remove the door, then make a forward/backward adjustment on floor guide.

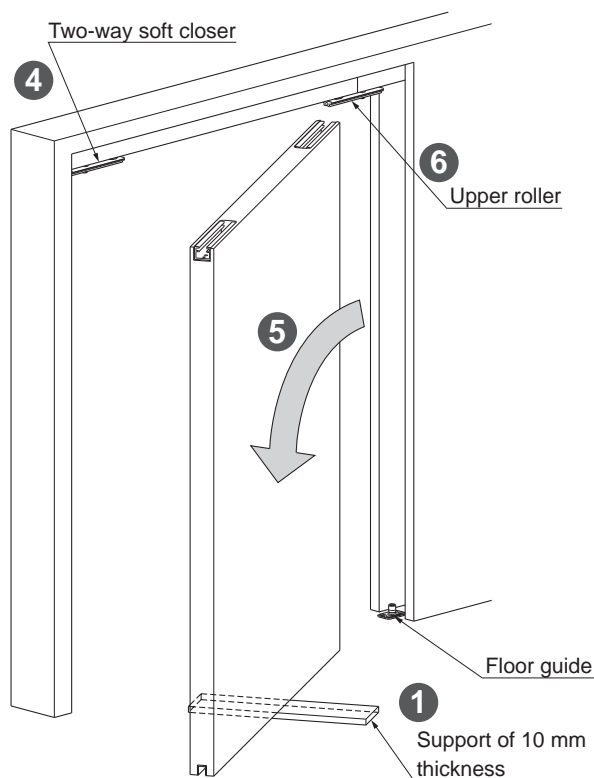
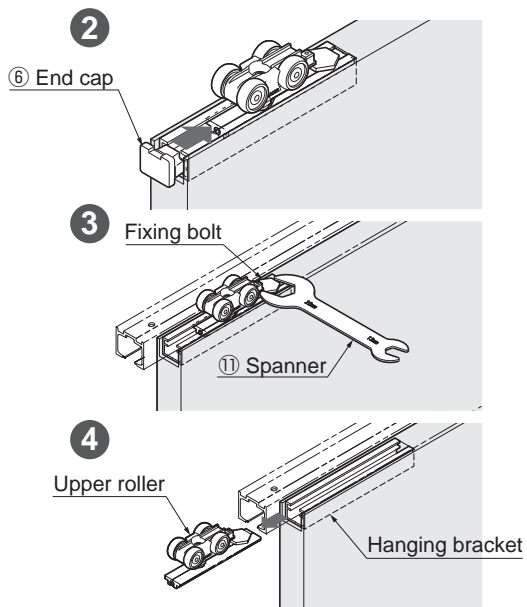
Tighten all 4 screws after the adjustment.



## Supplement 1 How to Remove Door, Track

### [1] How to remove door

- ① Put a support of 10 mm thickness under the door.
- ② Remove End cap.
- ③ Loosen Fixing bolt with Spanner ⑪.
- ④ Pull out Upper roller.
- ⑤ Pull out the door, while taking care of scratching with the door pocket.
- ⑥ Pull out Upper roller on the traing edge.



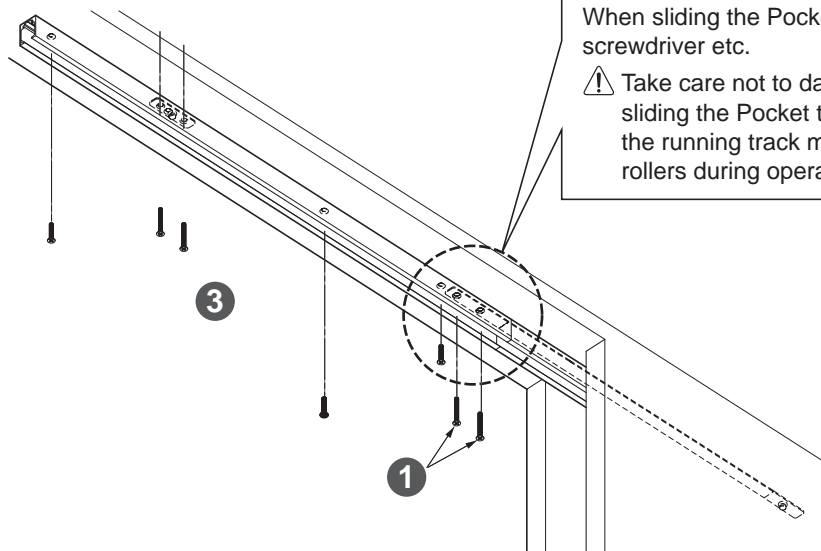
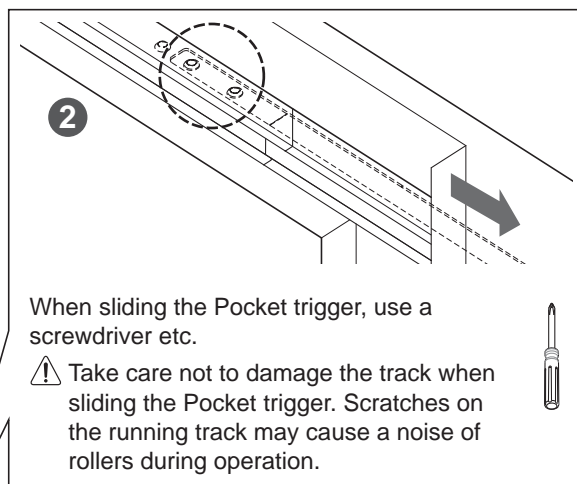
### [2] How to remove Upper track

- ① Remove the screws on the Pocket trigger.
- ② Slide the Pocket trigger into the Door pocket track.
- ③ Remove the Open area track.



The trigger can be deformed when to remove the Open area track without sliding the Pocket trigger into the Door pocket track.

Hold the Open area track when removing the last screw.

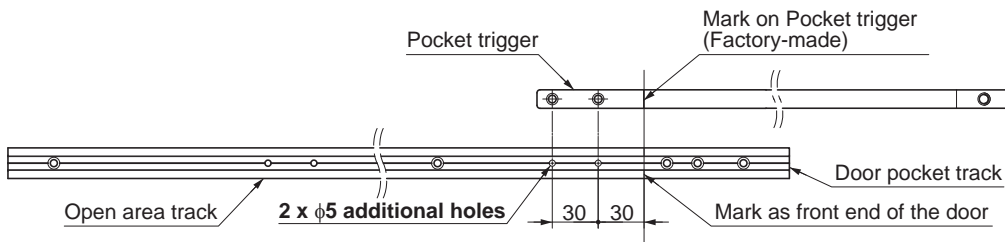
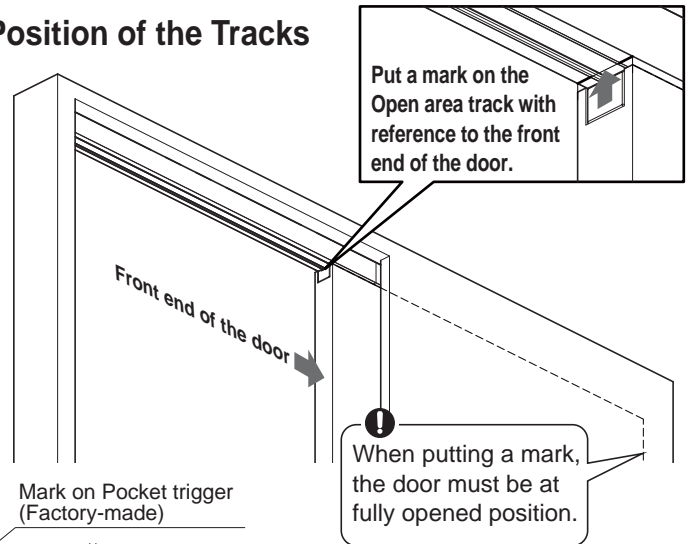




## Supplement 2 How to Shift The Connecting Position of the Tracks

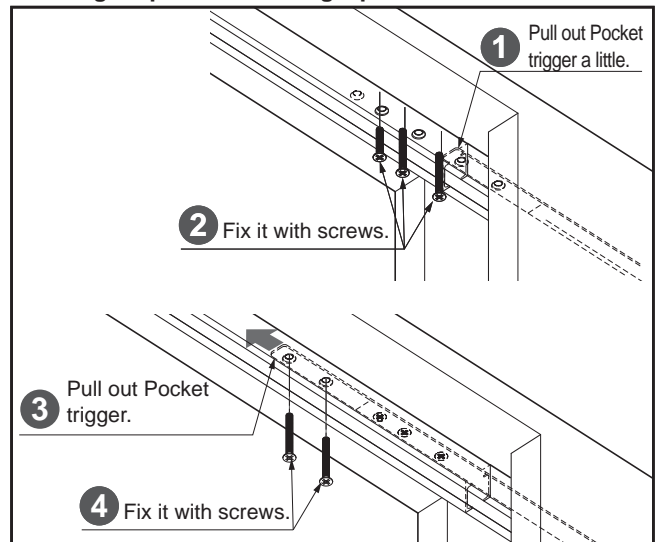
### [1] When determining trigger position on site

- (1) Put a mark on the Open area track with reference to the front end of the door at full opened position.  
(We recommend to put the mark on a masking tape.)
- (2) Drill additional holes for pocket trigger.  
Remove the door according to the procedure - **Supplement 1**: How to remove door, then remove the Open area track.
  - Drill additional holes for Trigger on the Open area track.  
(See the below drawing.)



- (3) Fixing Open area track  
Follow the right below figure, since the working sequence is different from regular process.
- (4) Hanging door  
Refer to the procedure 「**2**」 and following procedures on page 3.

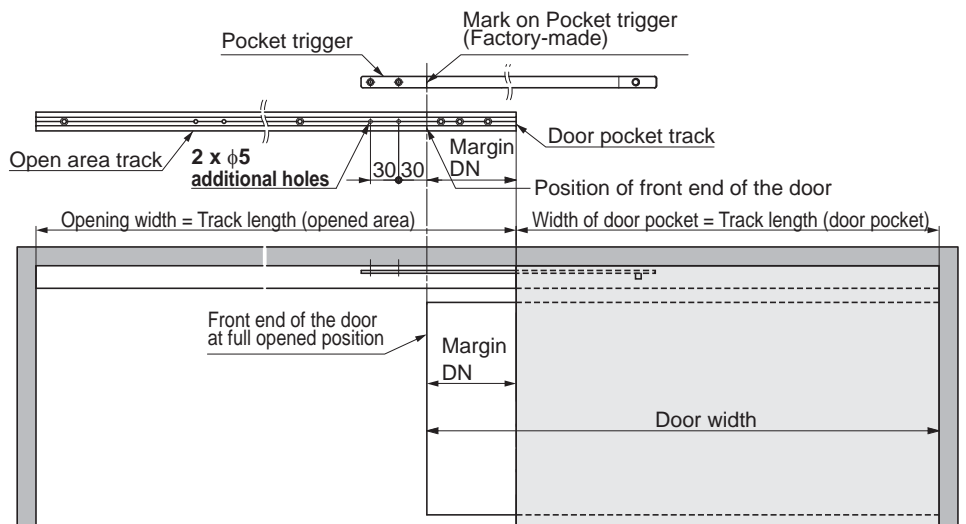
### Working sequence for fixing Open area track



### [2] How to process holes for Pocket trigger in advance

[Example] Door pocket track with its length equal to the width of door pocket.

- (1) Drill holes for Pocket trigger according to below drawing.
- (2) Fix Open area track, while following the right above figure, since the working sequence is different from regular process.



**Final confirmation** Confirm that all screws are securely tightened and used without mistake.

**PERIODICAL INSPECTION**

- Clean inside of track.
- Check upper space and lower space of the door. If necessary, correct the space.

**■ TROUBLESHOOTING**

Trouble	Checkpoint	Solution
Door stops during soft closing	Check if door bottom contacts with floor.	Confirm that track fixing screws are not loosened. Then, adjust door height such that clearance between door bottom and floor becomes 6 - 13 mm.
	Check if upper track is set horizontally.	Using a level gauge, reset upper track horizontally.
	Check if mohair seal is installed.	Reduce the friction between mohair seal and door.
No soft closing	Check if trigger is installed.	Install trigger to correct position.
	Check if door is closed by excessive force.	Do not close door by excessive force and it may damage soft closer.
	The position of trigger catcher might change to the incorrect position inside the track. (See section 「 6 」 .)	Slowly moving the door toward door head side, then push the door firmly. Repeat this action to the opposite side as well. If it is still not improved, check the status of trigger catcher in section 「 6 」 .
Abnormal noise during operation	Check if door touches other parts.	Correct door position to avoid contact to other parts.
	Check track rollers for aluminum dust.	Remove the track and pull out the roller. Then, clean the roller.
	Check for loose screws retaining the upper track.	Tighten the screw.
Heavy door operation	Check if door touches adjacent parts.	Correct door position to avoid contact to other objects. Adjust position of floor guide or stopper.
	Check if door is warped.	Use a door without warp.
Door does not move.	Check track retaining screws for looseness.	Roller touches with screw. Retighten screws to free the roller.
Door stops or caught during operation.	Check if any gap or misalignment between the tracks.	Correct the misalignment or gap.

**SUGATSUNE KOGYO CO.,LTD**

Tokyo, JAPAN

Phone: +81 (0)3 3866 2260 E-mail:export@sugatsune.co.jp

**SUGATSUNE KOGYO (UK) LTD**

Reading, UK

Phone: +44 118 9272 955 E-mail:sales@sugatsune.co.uk

**SUGATSUNE EUROPE GmbH**

Düsseldorf, GERMANY

Phone: +49 211 53812900 E-mail:sales@sugatsune.eu

**SUGATSUNE SHANGHAI Co., LTD**

Shanghai, CHINA

Phone: +86 21 3632 1858 E-mail:lamp@sugatsune.com.cn

**Guangzhou, CHINA**

Phone: +86 20 6639 3552 E-mail:lamp@sugatsune.com.cn

**SUGATSUNE KOGYO INDIA PRIVATE LIMITED**

Mumbai, INDIA

Phone: +91 22 28314490/91 E-mail:sales@sugatsune.in

**SUGATSUNE AMERICA, INC**

California, USA

Phone: +1 310 329 6373 E-mail:sales@sugatsune.com

**Chicago, USA**

Phone: +1 312 461 1081 E-mail:chicagoshowroom@sugatsune.com.

**SUGATSUNE CANADA, INC.**

Phone: +1 514 312 5267 E-mail:support@sugatsune.ca

ISO9001(Japan Offices and Sugatsune America) and ISO14001(Chiba Production division and Logistics center), certified.

2018.05 1047-2