

MULTI-PURPOSE LID (W/DAMPER)

STAINLESS
304
STEEL

AZ-GD



■ Features

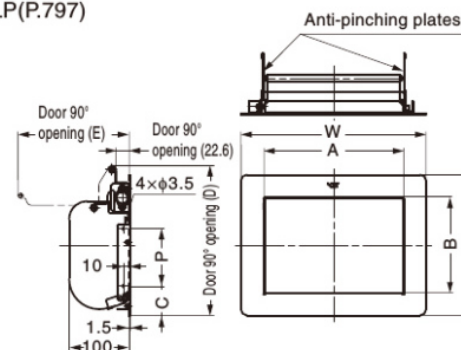
- Lid equipped with damper.
- Installed with anti-pinching plates.
- Corrosion resistant.

■ Remarks

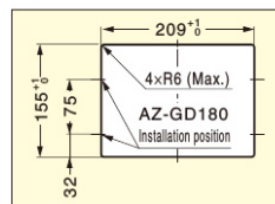
Operating temperature: 0°C ~ 40°C

■ Sold Separately

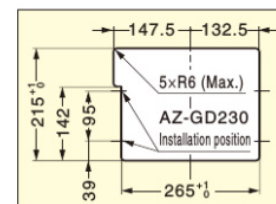
Guide:AZ-SLP(P.797)



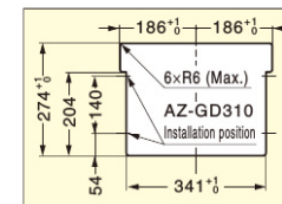
■ Cut Out Dimensions



AZ-GD180-HL



AZ-GD230-HL



AZ-GD310-HL

Item Code	Item Name	Material	Finish	A	B	W	H	C	D	E	P	Weight	Box	Carton
210-033-487	AZ-GD180-HL	Stainless Steel (SUS304)	Satin	182	128	218	164	37	182	149.5	75	1042 g	1 pc	10 pcs
210-017-089	AZ-GD230-HL	Stainless Steel (SUS304)	Satin	234	160	308	234	49	249	184.7	95	1486 g	1 pc	10 pcs
210-022-110	AZ-GD310-HL	Stainless Steel (SUS304)	Satin	310	220	384	294	64	310	244.7	140	2236 g	1 pc	10 pcs