

FOLDING BRACKET

TEST
METHOD 6

STAINLESS
304
STEEL

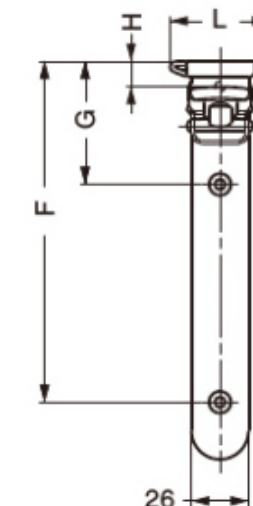
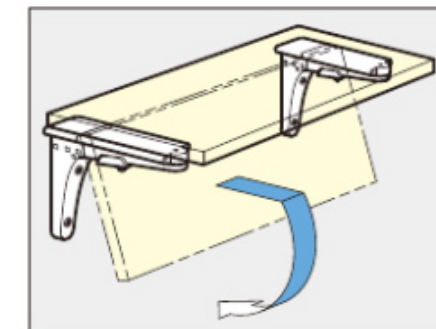
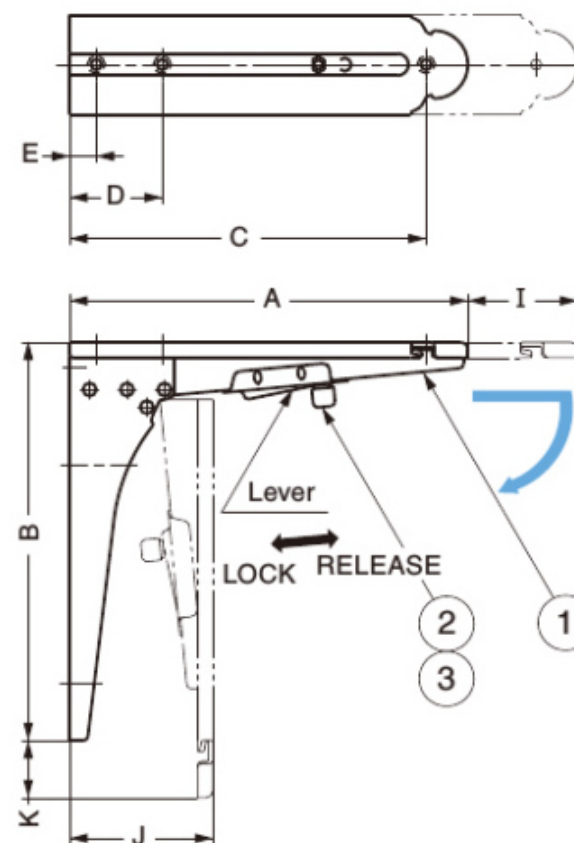
STAINLESS

BOS-180, BOS-240



Features

- Folding bracket with manual lock lever.
- Slide the locking lever to lock/unlock in open position.
- Bracket with hinge function in one unit.



Parts Included

- BOS-180
 - Countersunk head tapping screw 4×20 (SUS)
 - Pan head tapping screw 4.5×25 (SUS)
 - Raised countersunk head tapping screw 4.5×25 (SUS)
 - Raised countersunk head tapping screw 4.5×50 (SUS)
- BOS-240
 - Countersunk head tapping screw 4×20 (SUS)
 - Pan head tapping screw 5×30 (SUS)
 - Raised countersunk head tapping screw 5×30 (SUS)
 - Raised countersunk head tapping screw 5×70 (SUS)

No.	Part Name	Material	Finish/Colour
①	Body	Stainless Steel (SUS304)	Satin
②	Lever	Brass	Nickel
③	Cover	Ethylene Propylene Rubber (EPDM)	Black

Item Code	Item Name	A	B	C	D	E	F	G	H	I	J	K	L	Load Capacity	Weight	Box	Carton	
120-030-111	BOS-180	181	181	162	42	12	155	56	11.5	50	65	26	45.5	392 N/pc	40 kgf/pc	522 g	1 pc	20 pcs
120-030-090	BOS-240	240	250	215	80	25	220	70	15	64	81	29	49	325 N/pc	33 kgf/pc	860 g	1 pc	20 pcs