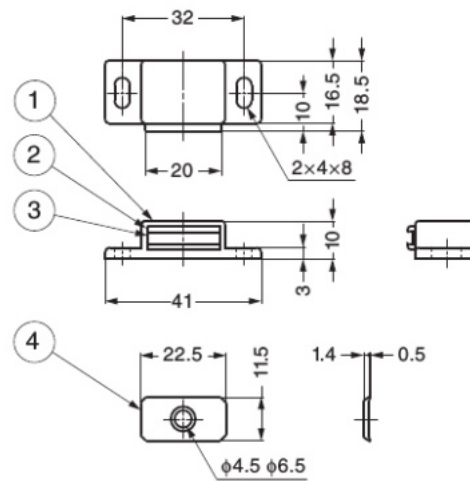


## MAGNETIC CATCH



No.	Material
①	Polyethylene
②	Steel (Yol)
③	Ferrite
④	Steel

Item Code	Item Name	Colour	Magnetic Force N	Magnetic Force kgf	Weight
140-050-331	MC0097W	White	14.7 N	1.5 kgf	12 g
140-050-329	MC0097W-1	White	34.3 N	3.5 kgf	12 g
140-050-332	MC0097B	Black	14.7 N	1.5 kgf	12 g
140-050-330	MC0097B-1	Black	34.3 N	3.5 kgf	12 g