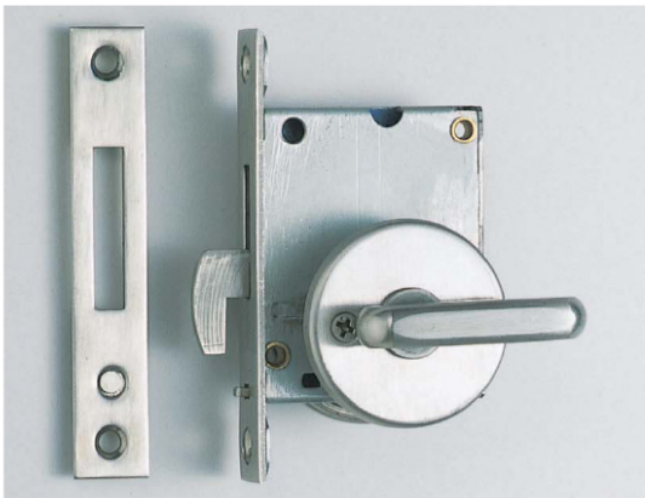


SLIDING DOOR LATCH W/INDICATOR



■ Features

- Ideal for harsh and high corrosion environments.
- Large lever for barrier-free design.
- Sliding door latch with indicator.
- Easy installation, flat and compact design for various application.
- Sliding door latch with indicator.

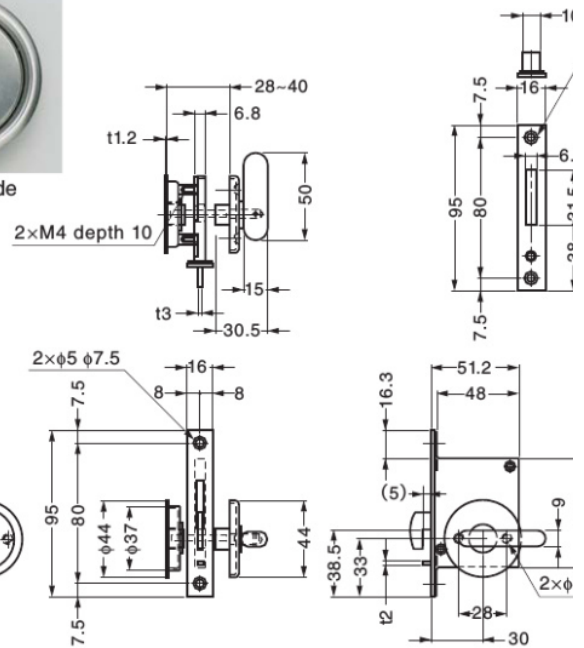
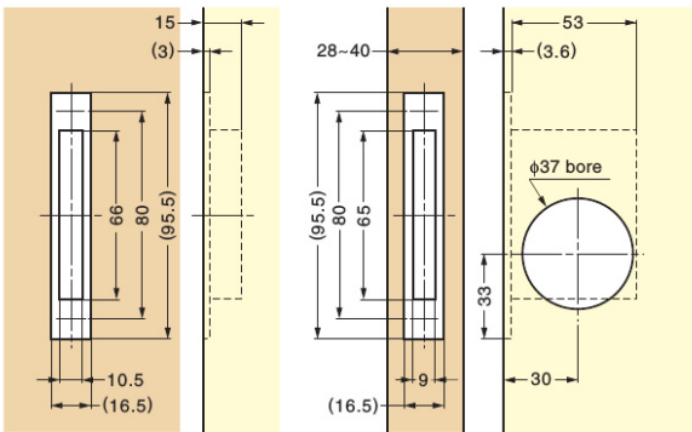
■ Parts Included

Countersunk head wood screw 3.5×20 (SUS)



From outside

■ Cut Out Dimensions



Item Code	Item Name	Door Thickness	Material	Finish	Weight
140-183-252	HC-30HL	28~40	Stainless Steel (SUS304)	Satin	344 g