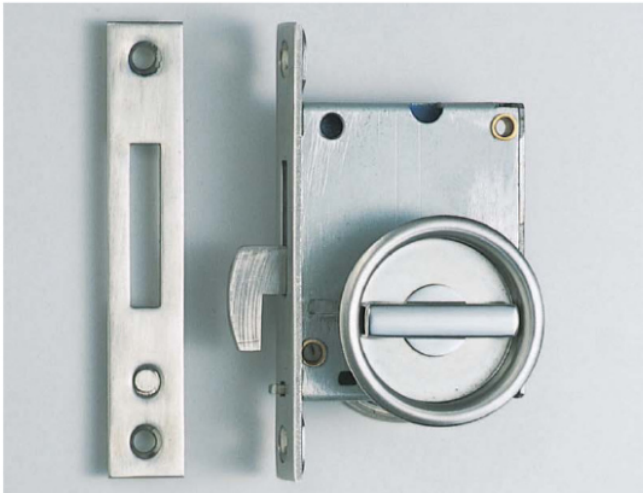


SLIDING DOOR LATCH W/INDICATOR



■ Features

- Ideal for harsh and high corrosion environments.
- Sliding door latch with indicator.
- Easy installation, flat and compact design for various application.
- Can be unlocked from outside in case of emergency.

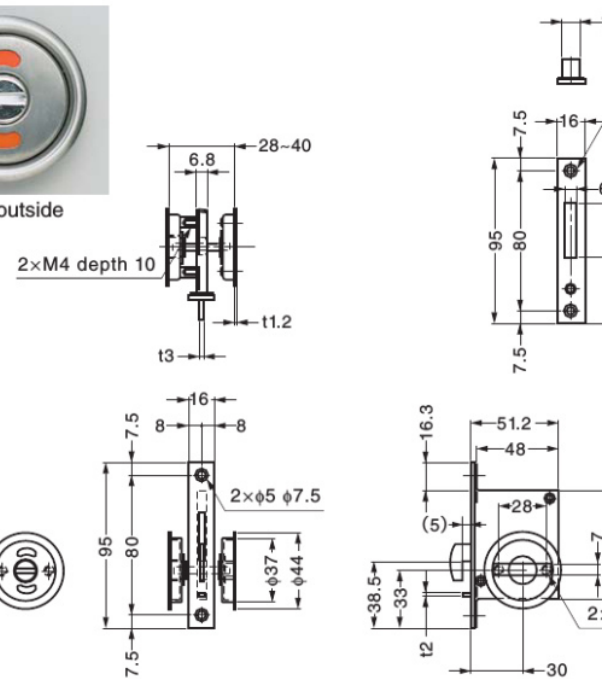
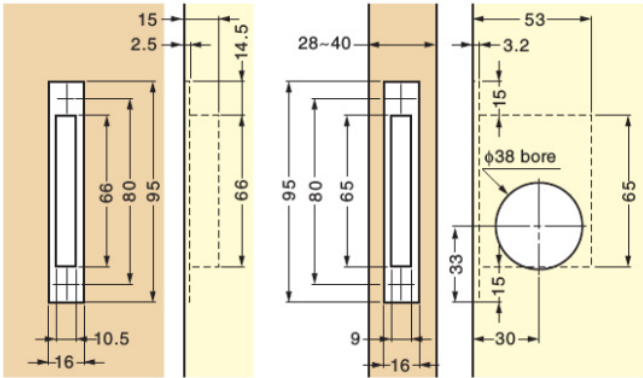
■ Parts Included

Countersunk head wood screw 3.5×20 (SUS)



From outside

■ Cut Out Dimensions



Item Code	Item Name	Door Thickness	Material	Finish	Weight
140-183-250	HC-30H	28~40	Stainless Steel (SUS304)	Satin	280 g