

INSET GLASS DOOR HINGE



SN

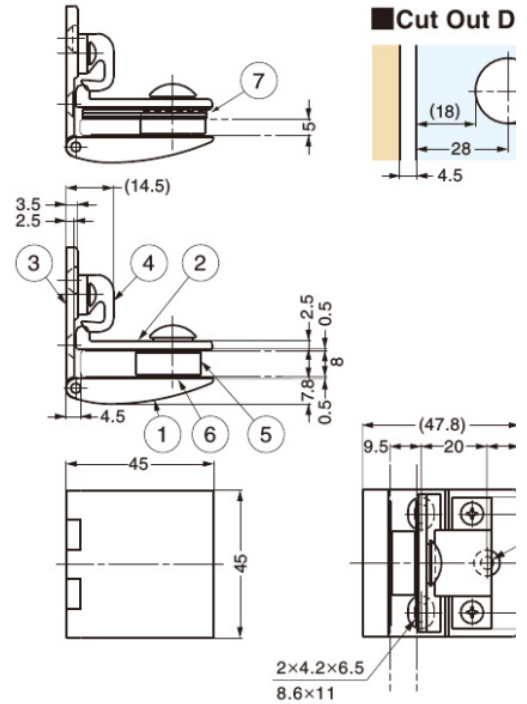
CR

GC

Features

- Suitable for showcases.
- Mounting position adjustable: Vertically -2 mm
Horizontally -2.5 mm
- Spacer included to accommodate different glass thickness

Cut Out D



Recommended Screws

Size 4 countersunk head screw

No.	Part Name	Material	Finish/Colour		
			SN	CR	GC
①	Front Plate	Brass	Satin Nickel	Chrome	Gold
②	Fixing Plate	Brass	Satin Nickel	Chrome	Gold
③	Hinge Plate	Brass	Satin Nickel	Chrome	Gold
④	Catch	Polyamide (PA)	Black	Black	Black
⑤	Glass Adjustment Block	Polyamide (PA)	Black	Black	Black
⑥	Pad	Chloroprene Rubber (CR)	Black	Black	Black
⑦	Spacer	Polypropylene (PP)	Black	Black	Black

Item Code	Item Name	Finish	Door Width	Door Height	Glass Thickness	Door Weight	Weight	Box	Carton
170-090-699	GH-450-SN	Satin Nickel	Max. 600	Max. 1200	5, 6, 8	Max. 15 kg/2 pcs	207 g	10 pcs	40 pcs
170-090-700	GH-450-CR	Chrome	Max. 600	Max. 1200	5, 6, 8	Max. 15 kg/2 pcs	207 g	10 pcs	40 pcs
170-090-701	GH-450-GC	Gold	Max. 600	Max. 1200	5, 6, 8	Max. 15 kg/2 pcs	207 g	10 pcs	40 pcs

Qty of Spacers

Door Thickness (mm)	Qty of Spacers
5	3