

# HALF OVERLAY GLASS DOOR HINGE

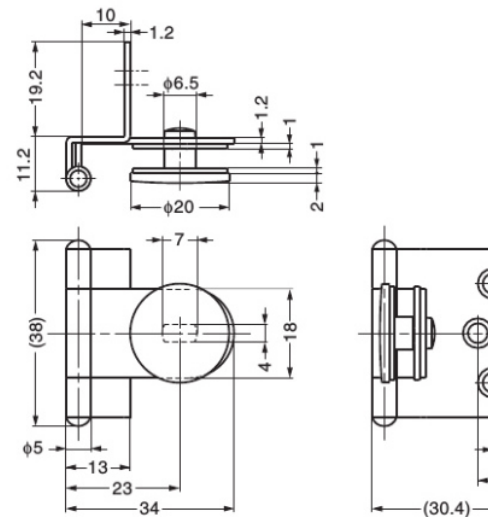


**■ Features**

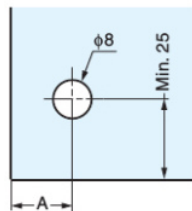
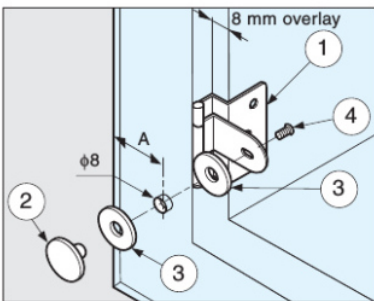
Hinge for glass/acrylic doors.

**■ Remarks**

Recommended for use in pairs.



**■ Cut Out Dimensions**



Glass Thickness	A	Overlay
4	19	8
5	18	7
6	17	6

No.	Part Name	Material
①	Body	Steel
②	Plate	Brass
③	Washer	Polyvinyl Chloride Resin (PVC)
④	Screw	Steel

Item Code	Item Name	Finish	Door Width	Door Height	Glass Thickness	Door Weight	Weight
170-083-528	GH34-8CR	Chrome	Max. 450	Max. 700	4, 5, 6	Max. 4 kg/2 pcs	30 g
170-025-832	GH34-8BL	Paint/Black	Max. 450	Max. 700	4, 5, 6	Max. 4 kg/2 pcs	30 g